

MAGICART

How to be A Global Leader in Services?

Many of us are facing after-sales trouble no matter private or governmental control company, time is invaluable and most worrying for us. Once the machine shut down, the production shut down either, and we start to lose money quickly and come to an operation crisis So what we do here?

- ◆ Fast Action in Services
- ◆ Unconditional Parts Supply
- ◆ Strong Professionalism
- ◆ Spotless Satisfaction

This is how MAGICART started to make business. What we do is giving the fastest services after supplying high-quality level products.

XINXIANG MAGICART CRANES CO., LTD

新乡市魔工起重机有限公司

Email: info@magicartcranes.com

Tel: +86 373 5853707 , +86 373 5853727

Phone: +86 151 37380574

www.magicartcranes.com

地址: 中国-河南省新乡市公元国际#1523

About Us

MAGICART is a leading manufacturer and service provider of cranes and material handling equipment, dedicated to the R & D, design, manufacturing, installation and service of cranes and material handling technology.

MAGICART owns comprehensive products, reliable quality, excellent performance, efficient service. The products are distributed in more than 30 countries and regions around the world. It is widely used in more than 20 professional fields, such as equipment manufacturing, logistics, energy, electric power, shipbuilding, metallurgy, ports, infrastructure, metal processing, hydropower stations, automobile manufacturing, and aerospace.

MAGICART's main products are overhead crane, gantry crane, rubber tyred gantry crane, portal jib crane, dock arm, jib crane, electric hoist, customized crane system and lifting accessories. MAGICART has saved customers huge cost in machine purchase and life cycle operating after long-term technological innovation.

Through long-term unremitting efforts , MAGICART will provide clients with the best cost-effective products to fulfill its mission: **promote client's business!**

- **Wire Rope Hoist - single girder**
(European Design: 1.6t - 12.5t)
- **Wire Rope Hoist - double girder**
(European Design: 3.2t - 80t)

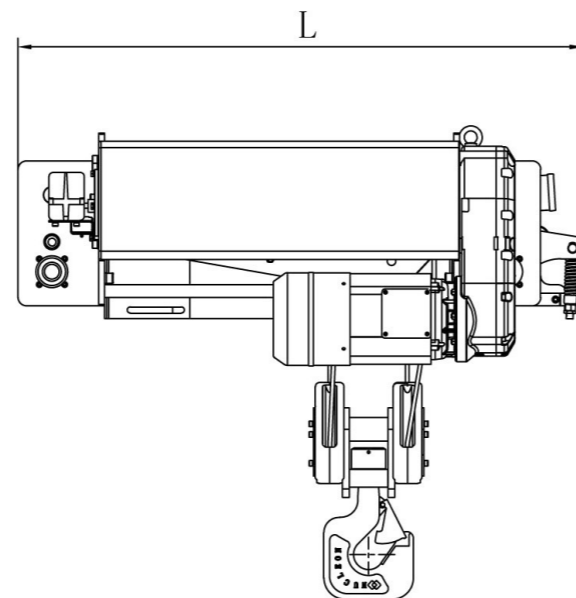
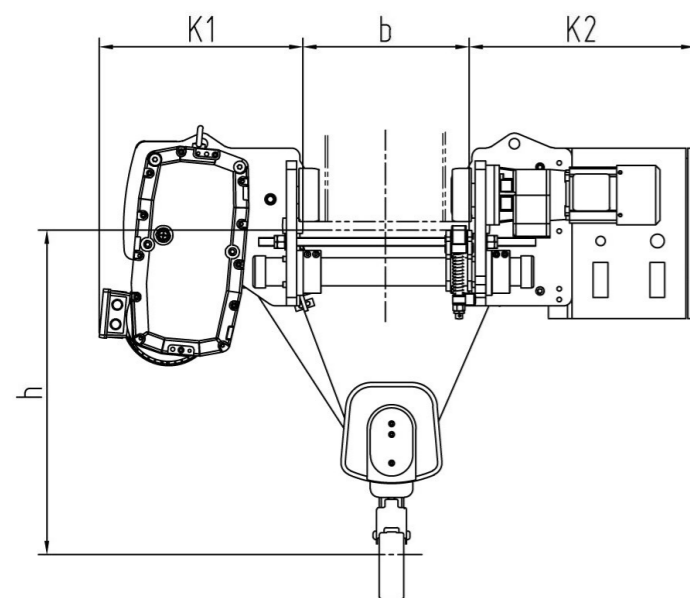


Wire Rope Hoist – CXT



MAGICART supplies Wire Rope Hoist designed as M5 or M6 Grade based on F.E.M, DIN, EN standard.

- Capacity from 0.5tons to 12.5tons
- Passed the national standard life test (1600hours)
- The service life of electrical components is not less than 500,000 times
- The safe use of brake reaches 1 million times
- The breaking force of wire rope reaches grade 2160
- The hook adopts high-strength T-class hook head
- 10 years free maintenance design of gearbox



Single Girder Hoist - data sheet

F.E.M | DIN | EN Standard

| Capacity (t) | Lifting Height (mm) | Duty Class | Lifting Speed (m/min) | Travel Speed (m/min) | Rail Width-b (mm) | Hoist Length-L (mm) | Up Limit-h (mm) | Max Wheel Load (kN) | Weight (kg) |
|--------------|---------------------|------------|-----------------------|----------------------|-------------------|---------------------|-----------------|---------------------|-------------|
| 1.6 | 6,000 | 2m/M5 | 1.6/10 | 2~20 | 200~300 | 930 | 400 | 6.1 | 300 |
| | 9,000 | | | | | 1100 | 400 | 6.2 | 335 |
| | 12,000 | | | | | 1270 | 400 | 6.3 | 370 |
| 2.5 | 6,000 | 2m/M5 | 0.8/5.0 | 2~20 | 200~350 | 1180 | 430 | 9.1 | 315 |
| | 9,000 | | | | | 1400 | 430 | 9.2 | 350 |
| | 12,000 | | | | | 1620 | 430 | 9.3 | 385 |
| 3.2 | 6,000 | 2m/M5 | 0.8/5.0 | 2~20 | 250~350 | 1180 | 450 | 11.5 | 335 |
| | 9,000 | | | | | 1400 | 450 | 11.6 | 370 |
| | 12,000 | | | | | 1620 | 450 | 11.7 | 405 |
| 6.3 | 6,000 | 2m/M5 | 0.8/5.0 | 2~20 | 300~450 | 1170 | 500 | 22 | 400 |
| | 9,000 | | | | | 1400 | 500 | 22.1 | 450 |
| | 12,000 | | | | | 1630 | 500 | 22.2 | 500 |
| 8.0 | 6,000 | 2m/M5 | 0.8/5.0 | 2~20 | 300~450 | 1120 | 650 | 28 | 580 |
| | 9,000 | | | | | 1290 | 650 | 28.1 | 610 |
| | 12,000 | | | | | 1460 | 650 | 28.2 | 640 |
| 10.0 | 6,000 | 2m/M5 | 0.8/5.0 | 2~20 | 300~450 | 1120 | 650 | 34.7 | 580 |
| | 9,000 | | | | | 1290 | 650 | 34.8 | 610 |
| | 12,000 | | | | | 1460 | 650 | 34.9 | 640 |
| 10.0 | 6,000 | 2m/M5 | 0.66/4.0 | 2~20 | 300~450 | 1140 | 700 | 34.7 | 650 |
| | 9,000 | | | | | 1320 | 700 | 34.8 | 690 |
| | 12,000 | | | | | 1500 | 700 | 34.9 | 730 |
| 12.5 | 6,000 | 2m/M5 | 0.66/4.0 | 2~20 | 300~500 | 1140 | 700 | 43.3 | 660 |
| | 9,000 | | | | | 1320 | 700 | 43.4 | 700 |
| | 12,000 | | | | | 1500 | 700 | 43.5 | 740 |

1) The duty class is M4, M5, M6 as required.

2) pls contact info@magicartcranes.com when the lifting height is more than 12 meters or need a customized design.

Wire Rope Hoist – CXT

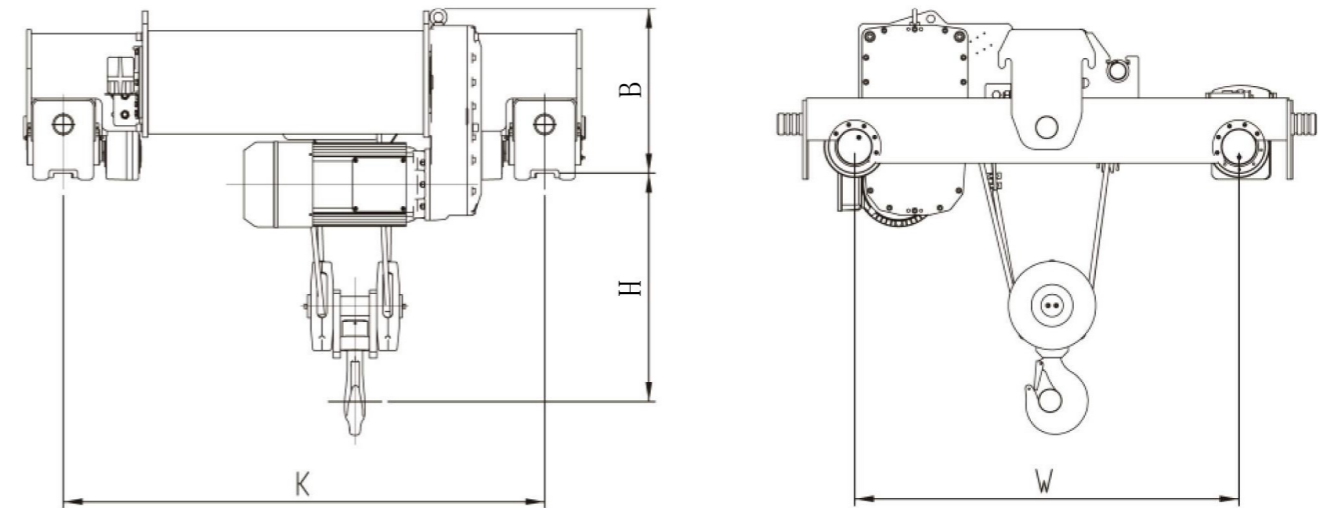
Advantages of MAGICART

- The motor power is reduced by 30% compared with traditional electric hoist
- Through the mature application of Variable frequency positioning technology, the work efficiency is improved by more than 20%
- The noise of hoist is below 70 Db
- The brake pads adopt non-asbestos design
- No metal dust caused by the slide friction between Nylon rope guide and Steel wire rope, Drum, providing workers with high cleanness operation environment
- The high-precision hard gearbox has been filled with international brand lubricants before delivery, no need to replace it within service cycle of hoist
- Adopt international brand and maintenance-free steel wire rope
- High-strength Nylon rope guide, change from wearing parts to durable parts
- International brand electrical components, bearings, and pendant controller
- Electromagnetic disk brake with automatic compensation of brake clearance and maintenance-free function
- Height limiter + Overload protection + travel limit switch (slow & stop)



Double Girder Hoist - data sheet

F.E.M | DIN | EN Standard



| Capacity (t) | Lifting Height (m) | Duty Class | Number of falls | Lifting Speed (m/min) | Travel Speed (m/min) | Gauge (mm) | Wheel base -W (mm) | Up Limit-H (mm) | Trolley Height- B (mm) | Ref. Weight (kg) |
|--------------|--------------------|------------|-----------------|-----------------------|----------------------|----------------------|--------------------|-----------------|------------------------|------------------|
| 3.2 | 6~12 | 2m / M5 | 4 / 1 | 5 / 0.8 | 2~20 | 1500 | 800 | 222 | 450 | 510~540 |
| 5 | 6~12 | 2m / M5 | 4 / 1 | 5 / 0.8 | 2~20 | 1600 | 1000 | 330 | 500 | 632~672 |
| 10 | 6~12 | 2m / M5 | 4 / 1 | 5 / 0.8 | 2~20 | 1500 | 1000 | 500 | 605 | 871~921 |
| 12.5 | 6~12 | 2m / M5 | 4 / 1 | 5 / 0.8 | 2~20 | 1500 | 1000 | 520 | 605 | 871~921 |
| 16 | 6~12 | 2m / M5 | 6 / 1 | 3.3 / 0.53 | 2~20 | 1800 | 1300 | 860 | 700 | 1314~1381 |
| 16 | 6~12 | 2m / M5 | 4 / 1 | 5 / 0.8 | 2~20 | 1800 | 1300 | 800 | 670 | 1460~1950 |
| 20 | 6~12 | 2m / M5 | 4 / 1 | 5 / 0.8 | 2~20 | 1800 | 1300 | 800 | 750 | 1718~1814 |
| 32 | 6~12 | 2m / M5 | 6 / 1 | 3.3 / 0.53 | 2~20 | 2300 | 1300 | 975 | 750 | 2826~3199 |
| 32 | 6~12 | 2m / M5 | 8 / 2 | 5 / 0.8 | 2~20 | 2800 | 1300 | 1075 | 720 | 2826~3199 |
| 40 | 6~12 | 2m / M5 | 8 / 2 | 5 / 0.8 | 2~20 | 2300 | 1300 | 1075 | 720 | 3474~3563 |
| 50 | 6~12 | 2m / M5 | 12 / 2 | 3.3 / 0.53 | 2~20 | 2300 2800 3300 | 1400 | 1100 | 770 | 4430~4970 |
| 63 | 6~12 | 2m / M5 | 16 / 2 | 2.4 / 0.4 | 2~20 | 2200 2800 3400 | 1600 | 1100 | 770 | 5450~5950 |
| 80 | 6~12 | 2m / M5 | 16 / 2 | 2.4 / 0.4 | 2~20 | 2300 3000 3700 | 1600 | 1150 | 785 | 5920~6420 |

1) The duty class is M4, M5, M6 as required.
 2) pls contact info@magicartcranes.com when the lifting height is more than 12 meters or need a customized design.

Why our proposal is so attractive?

Technology Advantages

- Advanced technology in crane structure design
- Advanced electric & hydraulic control system



How to find out the best solution for lifting job?

Just Call 0086 373 5853707

Reliable Fast Services

- Solve-trouble firstly in company rules
- Professional & fast action in solution



Excellent Performance

- 100% performance tested in factory
- Continuous performance optimized plan



Guaranteed Quality

- Qualified components for every part
- 2 years warranty services



info@magicartcranes.com
 Tel: +86 373 5853707 , +86 373 5853727
 XINXIANG MAGICART CRANES CO., LTD
 www.magicartcranes.com