

MAGICART

How to be A Global Leader in Services?

Many of us are facing after-sales trouble no matter private or governmental control company, time is invaluable and most worrying for us. Once the machine shut down, the production shut down either, and we start to lose money quickly and come to an operation crisis So what we do here?

- ◆ Fast Action in Services
- ◆ Unconditional Parts Supply
- ◆ Strong Professionalism
- ◆ Spotless Satisfaction

This is how MAGICART started to make business. What we do is giving the fastest services after supplying high-quality level products.

XINXIANG MAGICART CRANES CO., LTD
 新乡市魔工起重机有限公司
 Email: info@magicartcranes.com

Tel: +86 373 5853707 , +86 373 5853727
 Phone: +86 151 37380574
info@magicartcranes.com

地址：中国-河南省新乡市公元国际 # 1523

About Us

MAGICART is a leading manufacturer and service provider of cranes and material handling equipment, dedicated to the R & D, design, manufacturing, installation and service of cranes and material handling technology.

MAGICART owns comprehensive products, reliable quality, excellent performance, efficient service. The products are distributed in more than 30 countries and regions around the world. It is widely used in more than 20 professional fields, such as equipment manufacturing, logistics, energy, electric power, shipbuilding, metallurgy, ports, infrastructure, metal processing, hydropower stations, automobile manufacturing, and aerospace.

MAGICART's main products are overhead crane, gantry crane, rubber tyred gantry crane, portal jib crane, dock arm, jib crane, electric hoist, customized crane system and lifting accessories. MAGICART has saved customers huge cost in machine purchase and life cycle operating after long-term technological innovation.

Through long-term unremitting efforts , MAGICART will provide clients with the best cost-effective products to fulfill its mission: **promote client's business!**

• Floating Dock Cranes



Floating Dock Crane

- Unique design for ship repairs and launches on floating dock, reliable performance for various marine condition.
- The best method to make ship repair and maintenance job on a floating dock.
- Large capacity and customizable outreach, capable for a narrow wing wall
- With rich experience in modification of old floating dock



Technical sheet

F.E.M | DIN | EN Standard

MAGICART floating dock crane can be used in small and large floating dock for ship repair and building. It is very rigid for accurate load handling.

- Ergonomically designed Cabin for operator
- Smart & safety walkway and ladders
- Monitoring system for loading situation, wind factors, fault display, alarm control in cabin
- 4 travel motion alarms with Aviation obstruction lights
- Minimized wind pressure and wheel load
- Inclination 1°~ 3° design
- Berthing anchor system
- Safety monitoring system
- Power-off automatic rail clamping system
- Full frequency converters system
- Real time monitoring for traveling condition
- Outreach from 6.m to 50m
- Center lubrication system
- Programmable PLC Electronic Control System
- Electronic, stepless speed, infinitely variable controls for hoisting, traverse and travel.
- IACS class

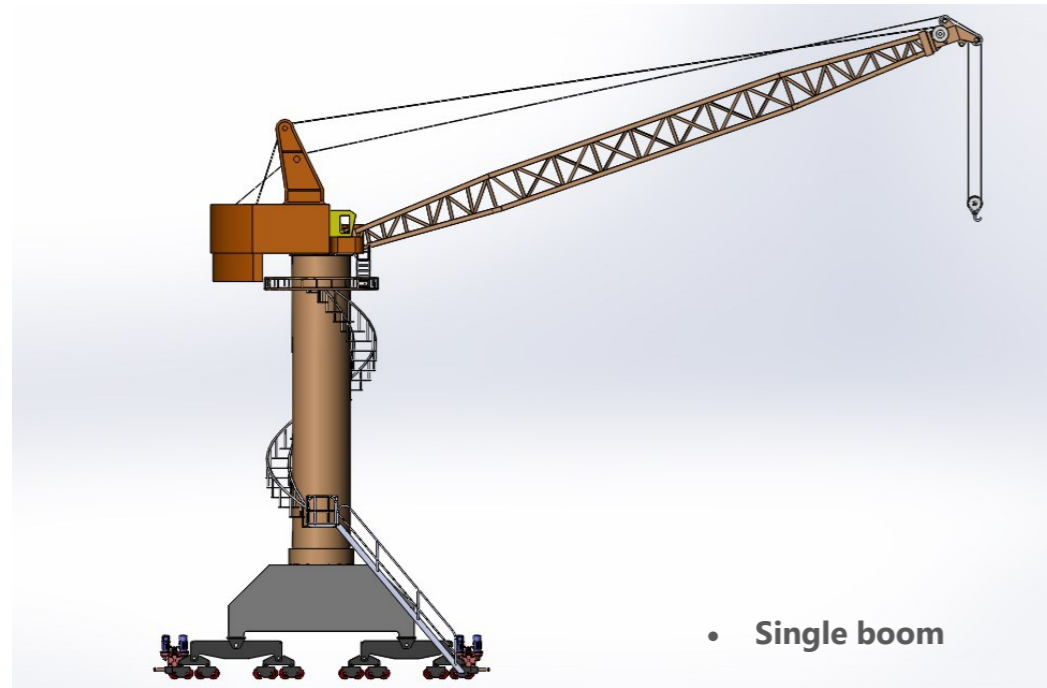
Capacity (ton)	Max Outreach (m)	Max Lifting height above rail/under rail	Rail Span (m)
5	15~25	15~25/10~15	3.2~6.0
7	15~25	15~25/10~15	3.2~6.0
10	15~25	15~25/10~15	3.2~6.0
15	20~35	20~25/10~15	3.2~6.0
20	20~35	20~25/10~15	3.2~6.0
25	20~35	20~25/10~15	3.2~6.0
30	20~50	20~35/10~20	3.2~6.0
35	20~50	20~35/10~20	3.2~6.0
40	20~50	20~35/10~20	3.2~6.0
Customizable	Customizable	Customizable	Customizable

Option: single boom or double boom, IACS type (CCS, BV, ABS etc)

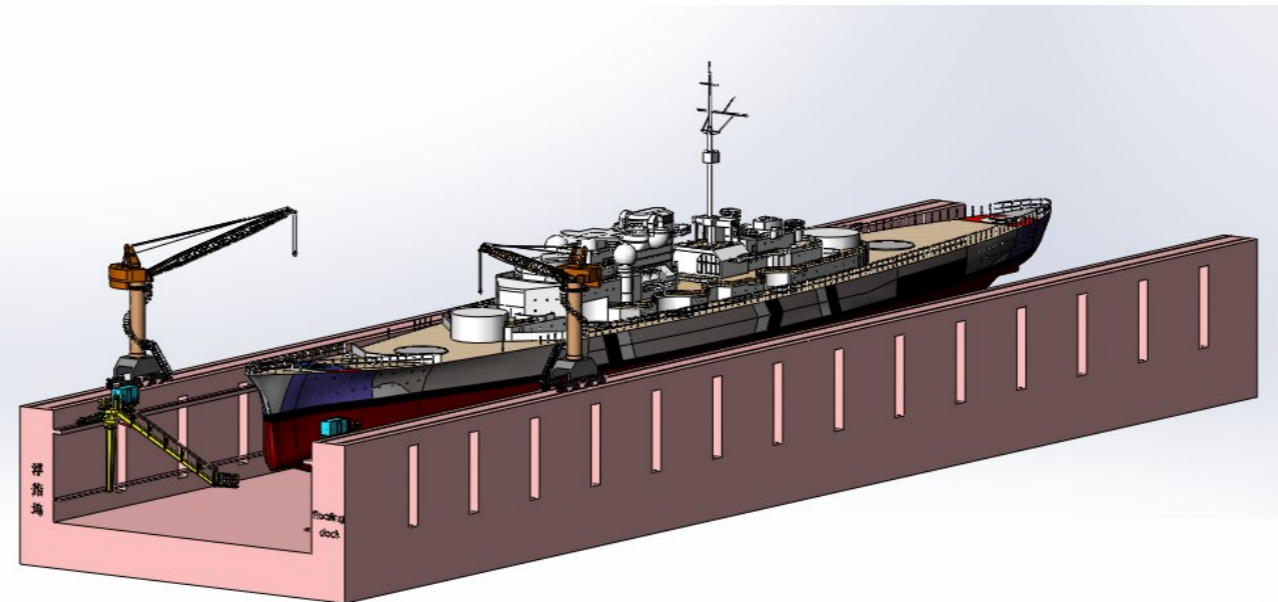
Floating Dock Crane

Types of Floating Dock Cranes

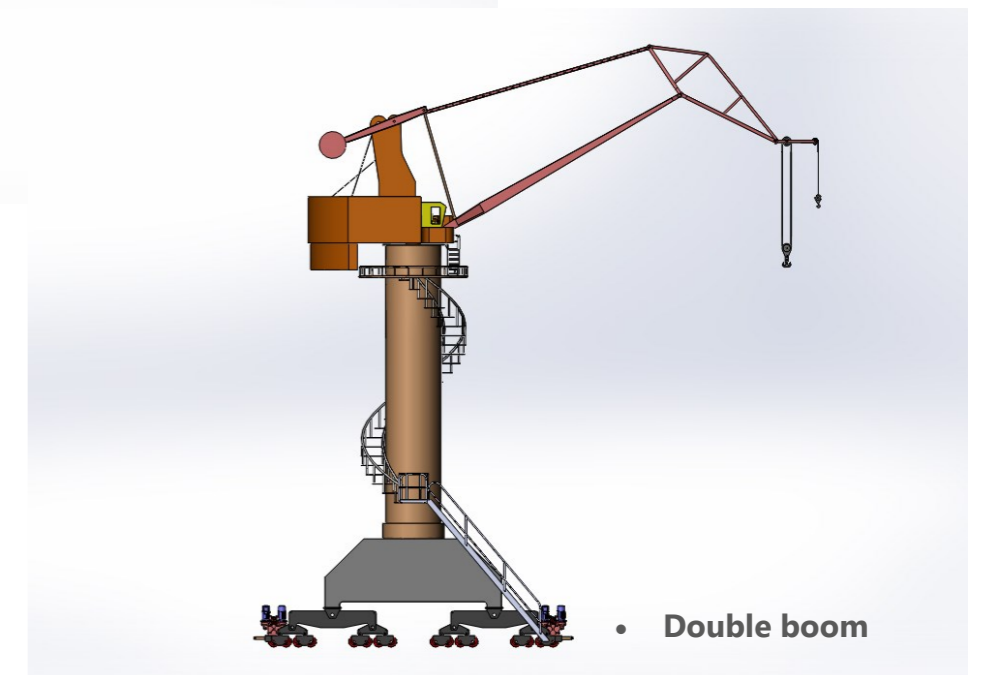
- Single Boom
- Double boom
- Fixed type (fixed on deck)



• Single boom



• Fixed type

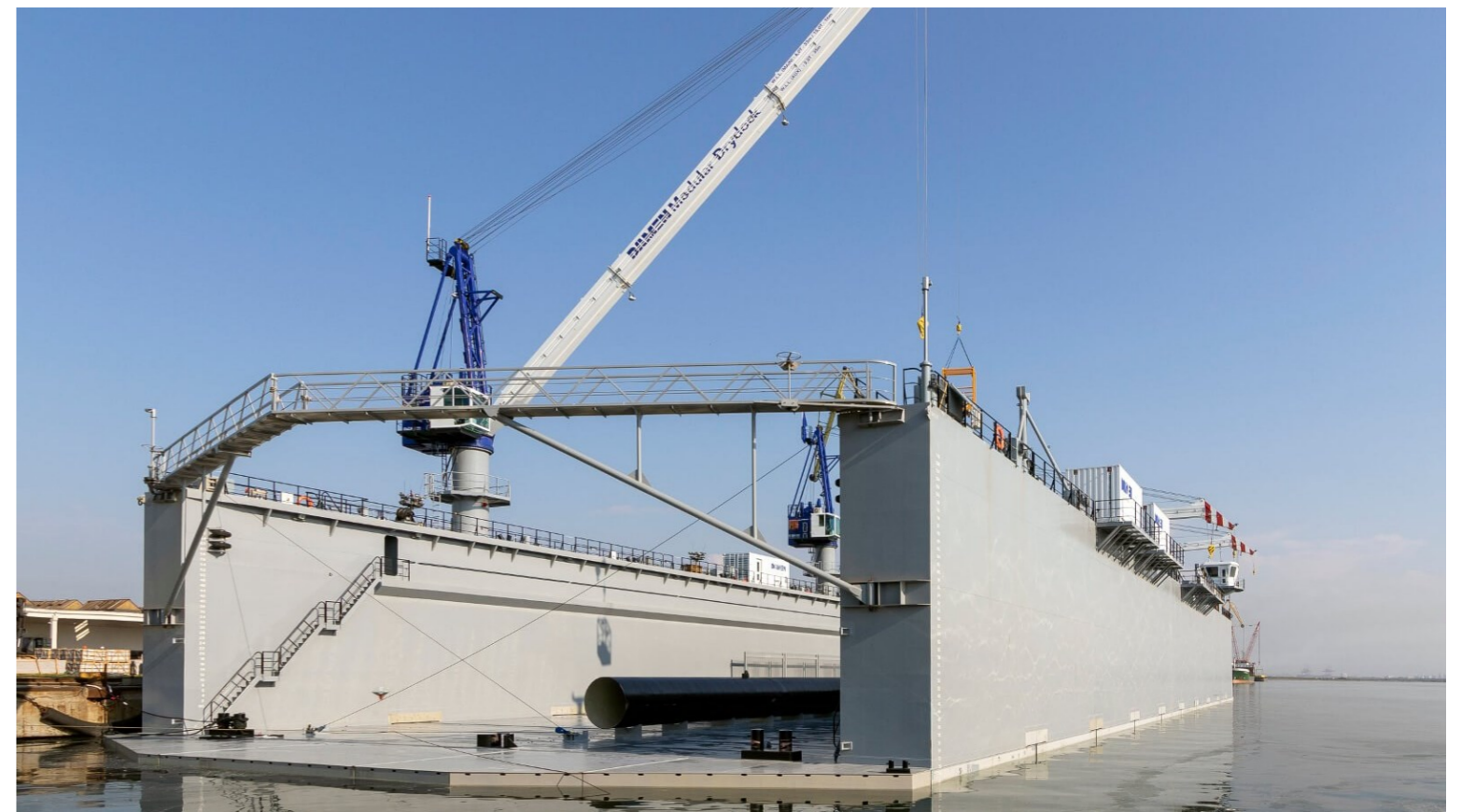


• Double boom

Floating Dock Crane



- Site Image for Reference



Floating Dock Crane

- Site Image for Reference



Why our proposal is so attractive?

Technology Advantages

- Advanced technology in crane structure design
- Advanced electric & hydraulic control system



Reliable Fast Services

- Solve-trouble firstly in company rules
- Professional & fast action in solution



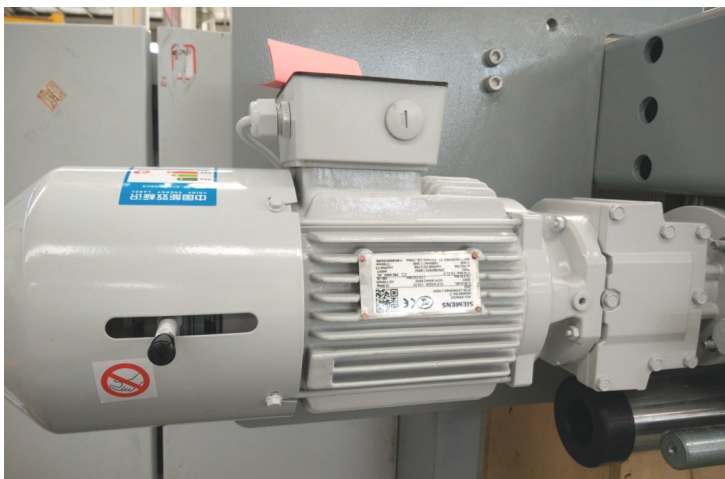
Excellent Performance

- 100% performance tested in factory
- Continuous performance optimized plan



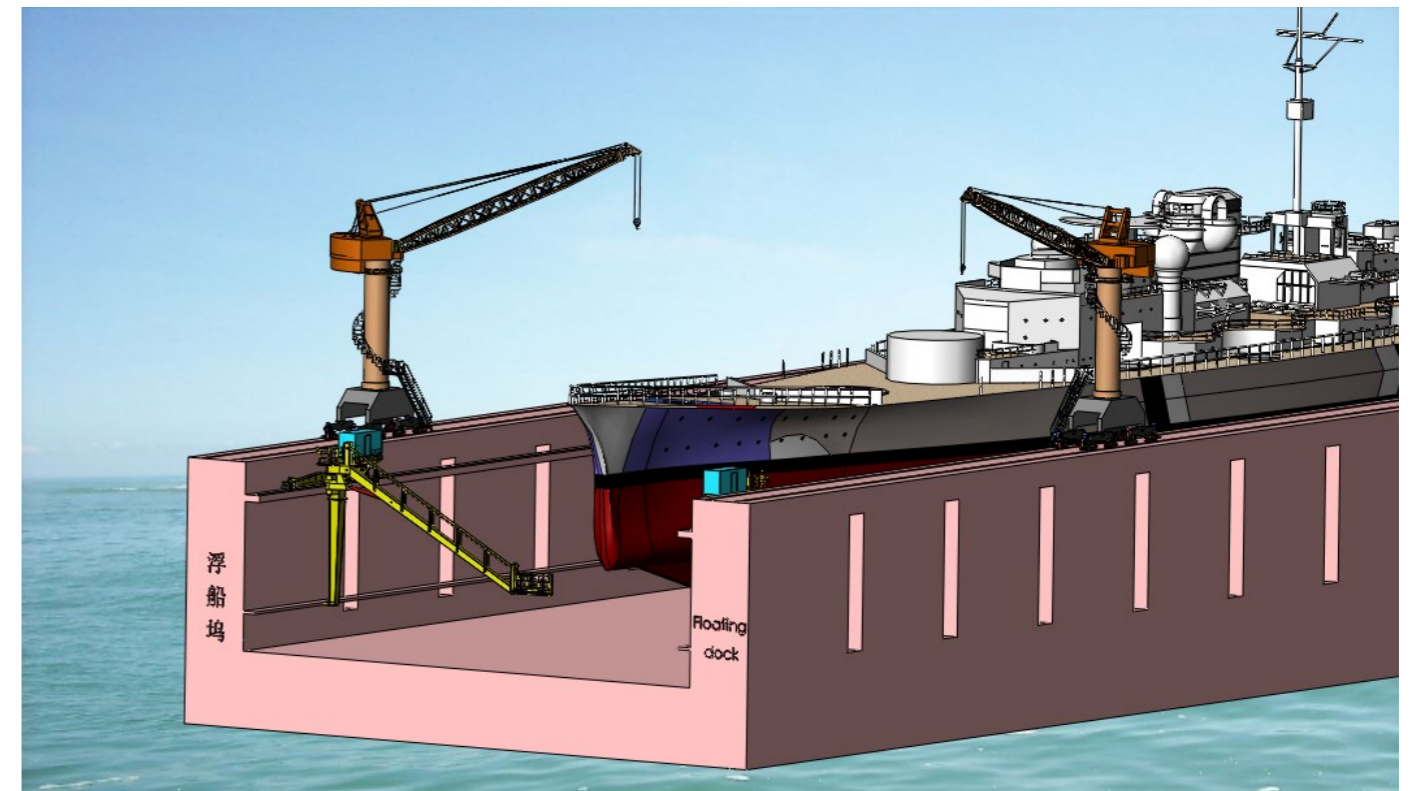
Guaranteed Quality

- Qualified components for every part
- 2 years warranty services



How to find out the best solution for lifting job?

Just Call **0086 373 5853727**



info@magicartcranes.com

Tel: +86 373 5853707 , +86 373 5853727

XINXIANG MAGICART CRANES CO., LTD

www.magicartcranes.com