



MAGICART is a leading manufacturer and service provider of cranes and material handling equipment, dedicated to the R & D, design, manufacturing, installation and service of cranes and material handling technology.

MAGICART owns comprehensive products, reliable quality, excellent performance, efficient service. The products are distributed in more than 30 countries and regions around the world. It is widely used in more than 20 professional fields, such as equipment manufacturing, logistics, energy, electric power, shipbuilding, metallurgy, ports, infrastructure, metal processing, hydropower stations, automobile manufacturing, and aerospace.

MAGICART's main products are overhead crane, gantry crane, rubber tyred gantry crane, portal jib crane, dock arm, jib crane, electric hoist, customized crane system and lifting accessories. MAGICART has saved customers huge cost in machine purchase and life cycle operating after long-term technological innovation.

Through long-term unremitting efforts , MAGICART will provide clients with the best cost-effective products to fulfill its mission: **promote client's business!**

XINXIANG MAGICART CRANES CO. LTD
新乡市魔工起重机有限公司

Email: info@magicartcranes.com

Tel: +86 373 5853707 +86 373 5853727
www.magicartcranes.com

Add: #1523 Gongyuanguoji, Xinxiang City, Henan, China.

Hydraulic Gantry Crane



Transformer

Lift, load, unload, assembly, installation, repair and maintenance of transformer .

Electrical equipment

To load, unload, lifting of electrical equipment in storage and logistic area.

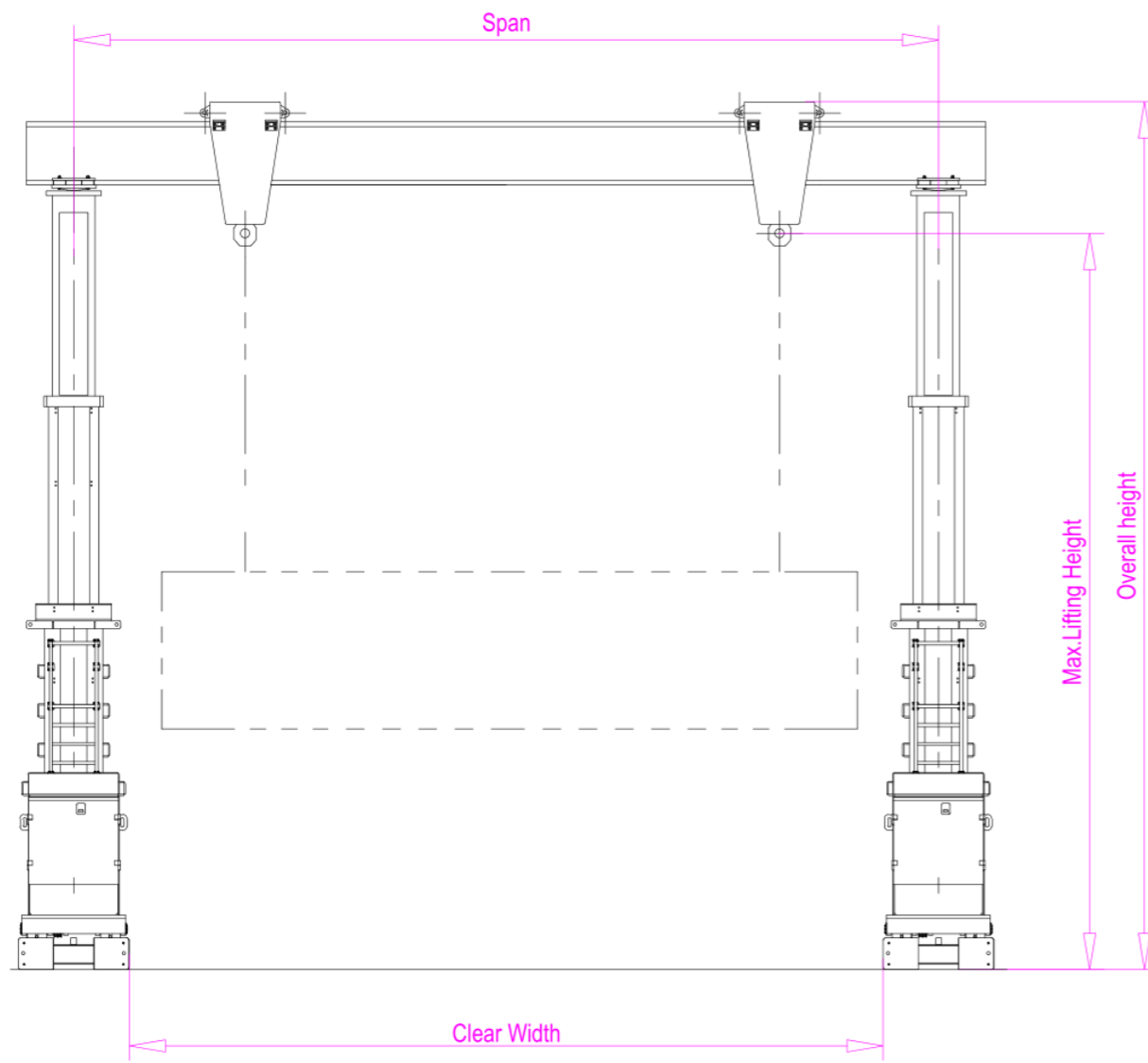
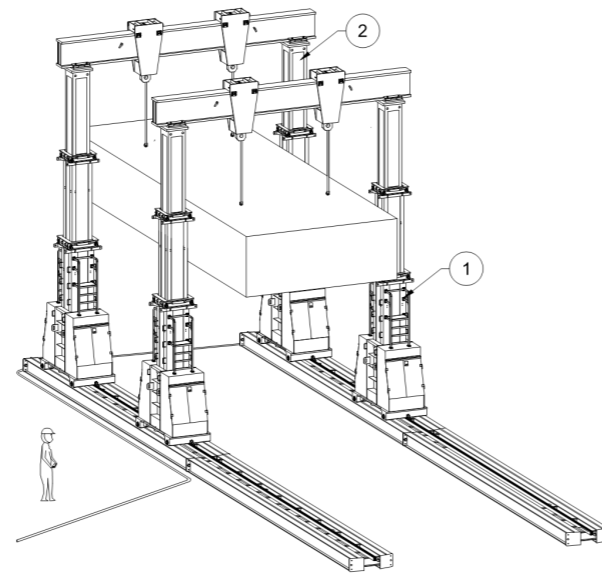
Heavy Material Lifting

Professional lifting equipment for loading and unloading of heavy material or products in factory

Hydraulic Gantry Crane

Capacity: 100 ~2,000 ton

Hydraulic gantry crane is a lifting equipment of MAGICART designed for heavy machine lifting, transfer, and maintenance, owns high investment



1) Necessary Info needed from client for offer

- Load Capacity
- Span (S) or Clear width
- Max. Lifting Height (H)
- Quantity: 1 or 2 unit
- Length of Rail
- Power voltage

F.E.M | DIN | EN Standard

Hydraulic gantry crane - data sheet

Model	Body Height (m)	Span (m)	1st Section Load / Height (ton / m)	2nd Section Load / Height (ton / m)	3rd Section Load / Height (ton / m)
HG 4002	4.5	12	400 / 7.0	400 / 9.5	/
HG 4003	4.8	12	400 / 7.5	400 / 10.2	300 / 12.5
HG 5002	4.5	12	500 / 7.0	400 / 9.5	/
HG 5003	4.8	12	500 / 7.5	400 / 10.2	350 / 12.5
HG 7002	4.5	12	700 / 7.0	400 / 9.5	/
HG 7003	4.8	12	700 / 7.5	400 / 10.2	500 / 12.5
HG 8002	4.6	12	800 / 7.0	400 / 9.5	/
HG 8003	4.9	12	800 / 7.5	400 / 10.2	560 / 12.5
HG 10003	5.0	12	1000 / 7.7	400 / 10.2	560 / 12.5
Customized	Customized	Customized	Customized	Customized	Customized

Introduction

- The overall system consists of four hydraulic lifting units, guide rails, cross beams, hooks, and a wireless controller, among other components. It is designed for modular assembly, easy disassembly, transportation, and installation.
- It is equipped with self-propelled capabilities to fulfill lifting and transportation functions.
- Electrical assembly connections utilize quick-connect joints for efficient installation.
- The hydraulic gantry crane employs four independent lifting units and a remote control automatic synchronization system, ensuring high precision control and safe and reliable operation. The service life of electrical components is not less than 500,000 times
- The hydraulic gantry crane features real-time load monitoring and overload protection.
- The hydraulic system incorporates a self-locking function.

Why our proposal is so attractive?

Technology Advantages

- Advanced technology in crane structure design
- Advanced electric & hydraulic control system



Reliable Fast Services

- Solve-trouble firstly in company rules
- Professional & fast action in solution



Excellent Performance

- 100% performance tested in factory
- Continuous performance optimized plan



Guaranteed Quality

- Qualified components for every part
- 2 years warranty services



How to find out the best solution for lifting job?

Just Call 0086 373 5853707



info@magicartcranes.com

Tel: +86 373 5853707 , +86 373 5853727

XINXIANG MAGICART CRANES CO., LTD

www.magicartcranes.com